

P4SMA5.0A Series

5.0V thru 220V, 400W, Uni-Directional Transient Voltage Suppressor in SMA package



Central Semiconductor's P4SMA5.0A series types are surface mount, uni-directional, glass passivated junction transient voltage suppressors designed to protect sensitive components from high energy transients.

Features:

- Glass passivated junction
- High reverse energy capability
- High forward surge capability

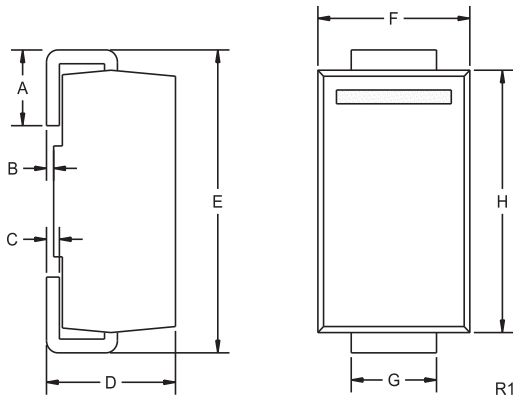
Applications:

- Voltage rail transient protection
- User interface transient protection
- Telephony line protection
- Voltage clamping

Benefits:

- Space saving package
- Industry standard package

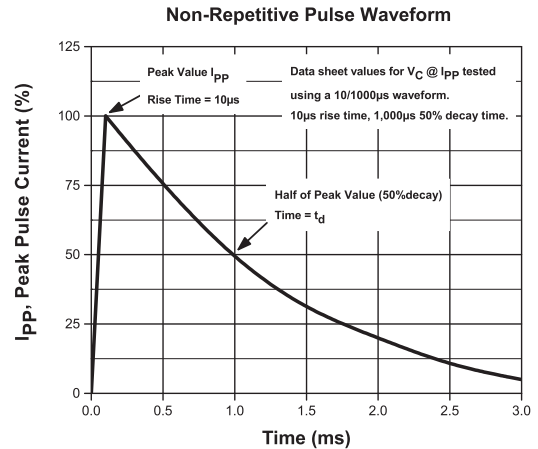
Mechanical Drawing - SMA



SYMBOL	DIMENSIONS		DIMENSIONS	
	MIN	MAX	MIN	MAX
A	0.030	0.060	0.76	1.52
B	0.004	0.008	0.10	0.20
C	0.006	0.012	0.15	0.30
D	0.078	0.103	1.98	2.62
E	0.188	0.220	4.78	5.59
F	0.090	0.115	2.29	2.92
G	0.050	0.070	1.27	1.78
H	0.157	0.181	3.99	4.60

SMA (REV: R1)

Typical Electrical Characteristic



Samples



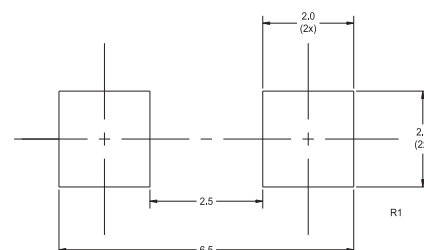
To request samples visit:
www.centrasemi.com/info/P4SMA

Weblink:

Use QR reader for direct link to product web page,
 or use: www.centrasemi.com/info/P4SMA



Mounting Pad (Dimensions in mm)



P4SMA5.0A Series

5.0V thru 220V, 400W, Uni-Directional Transient Voltage Suppressor in SMA package

Type No.	Maximum Ratings (T _A = 25° C)				Electrical Characteristics: (T _A = 25° C)								Marking Code
	PPK	IFSM	ΘJA	T _J , T _{stg}	Reverse Stand-off Voltage	Breakdown Voltage		Test Current	Reverse Leakage Current	Maximum Clamping Voltage	Peak Pulse Current (Note 1)		
	MAX (W)	MAX (A)	MAX (°C/W)	MAX (°C)	V _{RWM} (V)	MIN (V)	MAX (V)	I _T (mA)	I _R @ V _{RWM} (μA)	V _C @ I _{PP} (V)	I _{PP} (pF)		
P4SMA5.0A	400	40	70	-55 to +150	5.0	6.40	7.25	10.0	800	9.2	43.5	C4HE	
P4SMA6.0A	400	40	70	-55 to +150	6.0	6.67	7.67	10.0	800	10.3	38.8	C4HG	
P4SMA6.5A	400	40	70	-55 to +150	6.5	7.22	8.30	10.0	500	11.2	35.7	C4HK	
P4SMA7.0A	400	40	70	-55 to +150	7.0	7.78	8.95	10.0	200	12.0	33.3	C4HM	
P4SMA7.5A	400	40	70	-55 to +150	7.5	8.33	9.58	1.0	100	12.9	31.0	C4HP	
P4SMA8.0A	400	40	70	-55 to +150	8.0	8.89	10.23	1.0	50	13.6	29.4	C4HR	
P4SMA8.5A	400	40	70	-55 to +150	8.5	9.44	10.82	1.0	10	14.4	27.7	C4HT	
P4SMA9.0A	400	40	70	-55 to +150	9.0	10.0	11.5	1.0	5.0	15.4	26.0	C4HV	
P4SMA10A	400	40	70	-55 to +150	10	11.1	12.8	1.0	5.0	17.0	23.5	C4HX	
P4SMA11A	400	40	70	-55 to +150	11	12.2	14.0	1.0	1.0	18.2	22.0	C4HZ	
P4SMA12A	400	40	70	-55 to +150	12	13.3	15.3	1.0	1.0	19.9	20.1	C4IE	
P4SMA13A	400	40	70	-55 to +150	13	14.4	16.5	1.0	1.0	21.5	18.6	C4IG	
P4SMA14A	400	40	70	-55 to +150	14	15.6	17.9	1.0	1.0	23.2	17.2	C4IK	
P4SMA15A	400	40	70	-55 to +150	15	16.7	19.2	1.0	1.0	24.4	16.4	C4IM	
P4SMA16A	400	40	70	-55 to +150	16	17.8	20.5	1.0	1.0	26.0	15.3	C4IP	
P4SMA17A	400	40	70	-55 to +150	17	18.9	21.7	1.0	1.0	27.6	14.5	C4IR	
P4SMA18A	400	40	70	-55 to +150	18	20.0	23.3	1.0	1.0	29.2	13.7	C4IT	
P4SMA20A	400	40	70	-55 to +150	20	22.2	25.5	1.0	1.0	32.4	12.3	C4IV	
P4SMA22A	400	40	70	-55 to +150	22	24.4	28.0	1.0	1.0	35.5	11.2	C4IX	
P4SMA24A	400	40	70	-55 to +150	24	26.7	30.7	1.0	1.0	38.9	10.3	C4IZ	
P4SMA26A	400	40	70	-55 to +150	26	28.9	33.2	1.0	1.0	42.1	9.5	C4JE	
P4SMA28A	400	40	70	-55 to +150	28	31.1	35.8	1.0	1.0	45.4	8.8	C4JG	
P4SMA30A	400	40	70	-55 to +150	30	33.3	38.3	1.0	1.0	48.4	8.3	C4JK	
P4SMA33A	400	40	70	-55 to +150	33	36.7	42.2	1.0	1.0	53.3	7.5	C4JM	
P4SMA36A	400	40	70	-55 to +150	36	40.0	46.0	1.0	1.0	58.1	6.9	C4JP	
P4SMA40A	400	40	70	-55 to +150	40	44.4	51.1	1.0	1.0	64.5	6.2	C4JR	
P4SMA43A	400	40	70	-55 to +150	43	47.8	54.9	1.0	5.0	69.4	5.7	C4JT	
P4SMA45A	400	40	70	-55 to +150	45	50.0	57.5	1.0	5.0	72.7	5.5	C4JV	
P4SMA48A	400	40	70	-55 to +150	48	53.3	61.3	1.0	5.0	77.4	5.2	C4JX	
P4SMA51A	400	40	70	-55 to +150	51	56.7	65.2	1.0	5.0	82.4	4.9	C4JZ	
P4SMA54A	400	40	70	-55 to +150	54	60.0	69.0	1.0	5.0	87.1	4.6	C4RE	
P4SMA58A	400	40	70	-55 to +150	58	64.4	74.1	1.0	5.0	93.6	4.3	C4RG	
P4SMA60A	400	40	70	-55 to +150	60	66.7	76.7	1.0	5.0	96.8	4.1	C4RK	
P4SMA64A	400	40	70	-55 to +150	64	71.1	81.8	1.0	5.0	103	3.9	C4RM	
P4SMA70A	400	40	70	-55 to +150	70	77.8	89.5	1.0	5.0	113	3.5	C4RP	
P4SMA75A	400	40	70	-55 to +150	75	83.3	95.8	1.0	5.0	121	3.3	C4RR	
P4SMA78A	400	40	70	-55 to +150	78	86.7	99.7	1.0	5.0	126	2.2	C4RT	
P4SMA85A	400	40	70	-55 to +150	85	94.4	108.2	1.0	5.0	137	2.9	C4RV	
P4SMA90A	400	40	70	-55 to +150	90	100.0	115.5	1.0	5.0	146	2.7	C4RX	
P4SMA100A	400	40	70	-55 to +150	100	111.0	128.0	1.0	5.0	162	2.5	C4RZ	
P4SMA110A	400	40	70	-55 to +150	110	122.0	140.5	1.0	5.0	177	2.3	C4SE	
P4SMA120A	400	40	70	-55 to +150	120	133.0	153.0	1.0	5.0	193	2.0	C4SG	
P4SMA130A	400	40	70	-55 to +150	130	144.0	165.5	1.0	5.0	209	1.9	C4SK	
P4SMA150A	400	40	70	-55 to +150	150	167.0	192.5	1.0	5.0	243	1.6	C4SM	
P4SMA160A	400	40	70	-55 to +150	160	178.0	205.0	1.0	5.0	259	1.5	C4SP	
P4SMA170A	400	40	70	-55 to +150	170	189.0	217.5	1.0	5.0	275	1.4	C4SR	
P4SMA180A	400	40	70	-55 to +150	180	198.0	230.4	1.0	5.0	292	1.3	C4ST	
P4SMA190A	400	40	70	-55 to +150	190	209.0	243.2	1.0	5.0	308	1.3	C4SV	
P4SMA200A	400	40	70	-55 to +150	200	220.0	256.0	1.0	5.0	324	1.2	C4SX	
P4SMA210A	400	40	70	-55 to +150	210	231.0	268.8	1.0	5.0	340	1.2	C4SZ	
P4SMA220A	400	40	70	-55 to +150	220	242.0	281.6	1.0	5.0	356	1.1	C4GE	

Notes: (1) Non-repetitive 10x1,000μs pulse.

Sample devices available upon request. To order samples visit: www.centrasemi.com/info/P4SMA



Innovative Discrete Semiconductors

For further information contact:
Sales at Central Semiconductor Corp.
(631) 435-1110 or visit:
www.centrasemi.com

145 Adams Avenue • Hauppauge • New York • 11788 • USA • Tel:(631) 435-1110 • Fax:(631) 435-1824