

High Voltage 8 and 16 Amp Schottky Rectifier Series

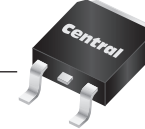
CSHD8 Series (8 Amp)

60V, 100V and 200V in the DPAK package



CSHDD16 Series (16 Amp)

40V thru 200V Dual Common Cathode in the D²PAK package



Central Semiconductor's **CSHD8 series (8 Amp)** and **CSHDD16 series (16 Amp)** are Schottky rectifiers designed for a wide range of applications requiring high current capability, low forward voltage drop and high reverse voltage capability.

Features:

- High reverse voltage capability up to 200V (V_{RRM})
- Low forward voltage (V_F)
- Low reverse leakage current (I_R)
- High surge current capability (I_{FSM})

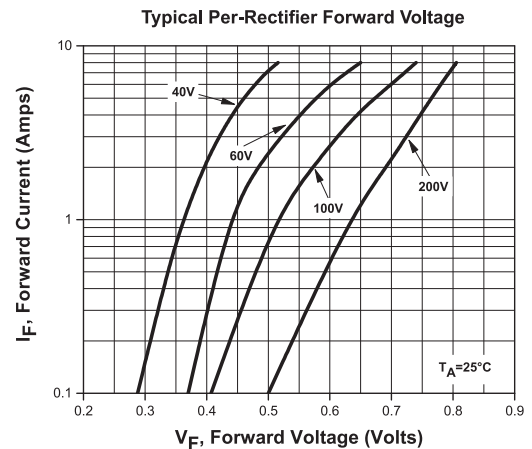
Applications:

- DC-DC output rectification
- Flyback diode
- Reverse polarity protection
- OR-ing diode

Benefits:

- Energy efficiency
- Standard DPAK and D²PAK surface mount packages
- Extended temperature range (+175°C)

Typical Electrical Characteristics



Samples



To order samples of this device visit:
www.centrasemi.com/info/HVSSeries

	Maximum Ratings ($T_A = 25^\circ\text{C}$)				Electrical Characteristics Per Rectifier: ($T_A = 25^\circ\text{C}$ unless otherwise noted)				
	V_{RRM} (V) MAX	I_O (A) MAX	T_J, T_{stg} ($^\circ\text{C}$) MAX	I_{FSM} (A) MAX	V_F (V) TYP (V) MAX		@ I_F (A)	I_R MAX	@ V_R (V)
CSHD8-60	60	8.0 ($T_L = 75^\circ\text{C}$)	-65 to +175	85	0.65	0.75	8.0	50 μA 20mA	60 60 ($T_J = 100^\circ\text{C}$)
CSHD8-100	100	8.0 ($T_L = 75^\circ\text{C}$)	-65 to +175	85	0.75	0.80	8.0	50 μA 20mA	100 100 ($T_J = 100^\circ\text{C}$)
CSHD8-200	200	8.0 ($T_L = 75^\circ\text{C}$)	-65 to +175	85	0.80	0.90	8.0	50 μA 20mA	200 200 ($T_J = 100^\circ\text{C}$)
CSHDD16-40C	40	16 ($T_L = 75^\circ\text{C}$)	-65 to +175	150	0.52	0.70	8.0	50 μA 20mA	40 40 ($T_J = 100^\circ\text{C}$)
CSHDD16-60C	60	16 ($T_L = 75^\circ\text{C}$)	-65 to +175	150	0.65	0.75	8.0	50 μA 20mA	60 60 ($T_J = 100^\circ\text{C}$)
CSHDD16-100C	100	16 ($T_L = 75^\circ\text{C}$)	-65 to +175	150	0.75	0.80	8.0	50 μA 20mA	100 100 ($T_J = 100^\circ\text{C}$)
CSHDD16-200C	200	16 ($T_L = 75^\circ\text{C}$)	-65 to +175	150	0.80	0.90	8.0	50 μA 20mA	200 200 ($T_J = 100^\circ\text{C}$)

weblink scan



Use QR reader for direct link to product web page.

High Voltage 8 and 16 Amp Schottky Rectifier Series

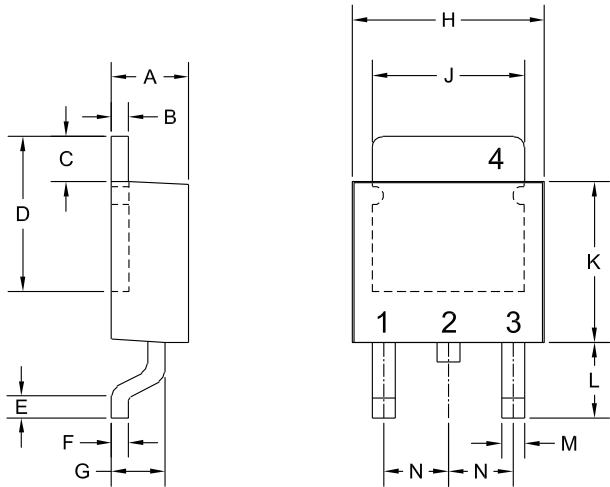
CSHD8 Series (8 Amp)

60V, 100V and 200V in the DPAK package

CSHDD16 Series (16 Amp)

40V thru 200V Dual Common Cathode in the D²PAK package

Mechanical Drawing - DPAK CSHD8 Series

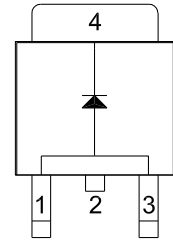


R2

SYMBOL	INCHES		MILLIMETERS	
	MIN	MAX	MIN	MAX
A	0.083	0.108	2.10	2.75
B	0.016	0.024	0.40	0.60
C	0.063		1.60	
D	0.203	0.219	5.15	5.55
E	0.039		1.00	
F	0.020		0.50	
G	0.051	0.071	1.30	1.80
H	0.248	0.268	6.30	6.80
J	0.197	0.217	5.00	5.50
K	0.209	0.224	5.30	5.70
L	0.090	0.106	2.30	2.70
M	0.012	0.031	0.30	0.80
N	0.091		2.30	

DPAK RECTIFIER (REV: R2)

Pinout



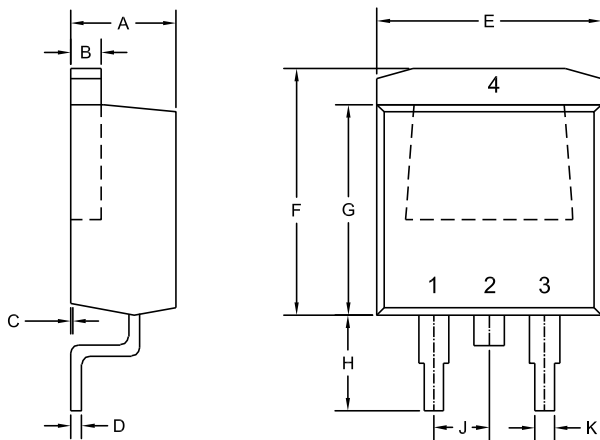
LEAD CODE:

- 1) Anode
 - 2) Cathode
 - 3) Anode
 - 4) Cathode
- Pin 2 is Common to Tab (4)

MARKING:

FULL PART NUMBER

Mechanical Drawing - D²PAK CSHDD16 Series

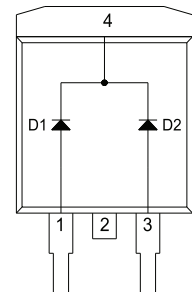


R2

SYMBOL	INCHES		MILLIMETERS	
	MIN	MAX	MIN	MAX
A	0.163	0.189	4.14	4.80
B	0.045	0.055	1.14	1.40
C	0.000		0.00	
D	0.012	0.028	0.30	0.70
E	0.386	0.409	9.80	10.40
F	0.378	0.417	9.60	10.60
G	0.335	0.358	8.50	9.10
H	0.197	0.236	5.00	6.00
J	0.093	0.108	2.35	2.75
K	0.030	0.035	0.75	0.90

D2PAK (REV: R2)

Pinout



Lead Code:

- 1) Anode D1
- 2) Cathode D1, D2
- 3) Anode D2
- 4) Cathode D1, D2

Note: Pin 2 is Common to the Tab (4)

Marking:

Full Part Number

Sample devices available upon request. To order samples of this device visit: www.centrasemi.com/info/HVSSeries



For further information contact:
Sales at Central Semiconductor Corp.
(631) 435-1110 or visit:
www.centrasemi.com