

Rethink the Possibilities™
Discretes do Matter™

CMUDW6001 75V, 250mA Ultra Low Leakage Switching Diode in the SOT-523W package



Central Semiconductor's CMUDW6001 is a 75V, 250mA ultra low leakage diode packaged in the SOT-523W surface mount case. The SOT-523W was designed with gull-wing leads as an alternative to the flat leads of the SOT-523 package. The CMUDW6001 has been optimized with the lowest possible reverse leakage current for use as an exceptionally energy efficient diode when operating in reverse blocking mode. This device is ideal for circuits requiring a steering diode, flyback diode, voltage multiplier, or reverse polarity protection.

Features:

- Ultra low leakage current (250pA)
- High peak forward surge current (4.0A)
- SOT-523W package with gull-wing leads

Applications:

- Steering diode
- Flyback diode
- Voltage multiplier
- Reverse polarity protection

Benefits:

- Energy efficiency
- Space saving

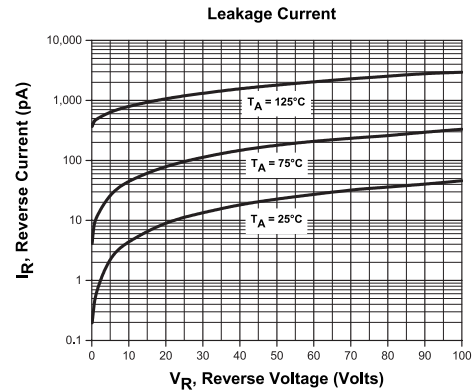
Literature



SMD
SELECTION
GUIDE

Order your selection guide today.
Visit: web.centrasemi.com/search/sample.php

Typical Electrical Characteristics



Samples



To order samples of this device visit:
www.centrasemi.com/info/CMUDW6001

weblink scan

Use QR reader
for direct link to
product web page.

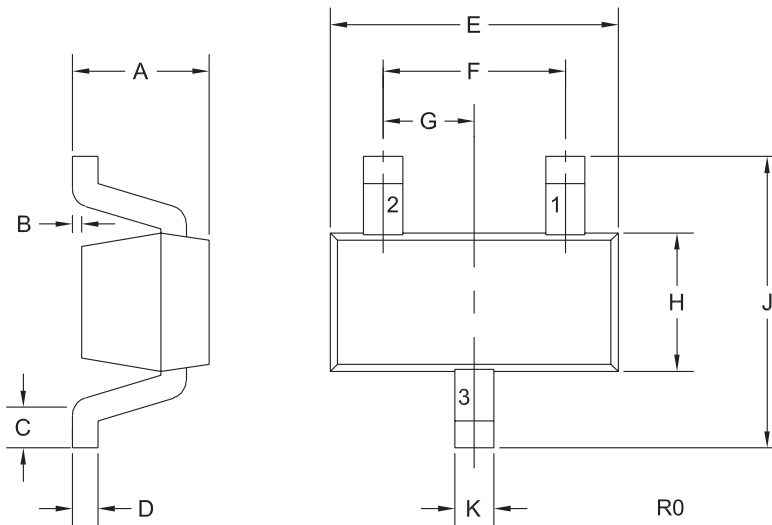


Electrical Characteristics (TA = 25°C unless otherwise noted)										Thermal Characteristics		
VRRM	IF	VF		@ IF	IR		@ VR	t _{rr}	CT	PD	TJ, Tstg	ΘJA
(V) MAX	(mA) MAX	(V) TYP	(V) MAX	(mA)	(pA) TYP	(pA) MAX	(V)	(μs) MAX	(pF) MAX	(mW) MAX	(°C) MAX	(°C/W) MAX
100	250	0.76 0.85 0.99	0.85 0.95 1.1	1.0 10 100	250	500	75	3.0	2.0	250	-65 to +150	500

CMUDW6001

75V, 250mA Ultra Low Leakage Switching Diode in the SOT-523W package

Mechanical Drawing - SOT-523W



SYMBOL	DIMENSIONS			
	INCHES		MILLIMETERS	
	MIN	MAX	MIN	MAX
A	-	0.031	-	0.80
B	0.000	0.004	0.00	0.10
C	0.006	0.012	0.15	0.30
D	0.005	0.006	0.13	0.15
E	0.058	0.066	1.48	1.68
F	0.039		1.00	
G	0.020		0.50	
H	0.026	0.034	0.66	0.86
J	0.059	0.067	1.50	1.70
K	0.007	0.009	0.19	0.24

SOT-523W (REV: R0)

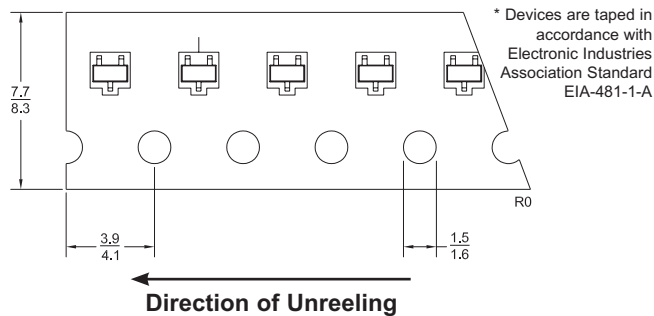
Lead Code:

- 1) Anode
- 2) No Connection
- 3) Cathode

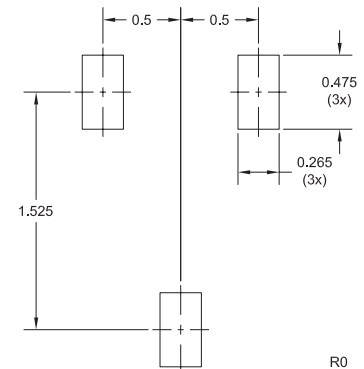
Marking Code: 61W

Tape Dimensions and Orientation (Dimensions in mm)

Tape Width: 8mm



Mounting Pad Geometry (Dimensions in mm)



Packaging Base / Ordering Information

Reel Size	Quantity	Central Item No.
7"	3,000	CMUDW6001 TR

Reel Packing Information

Reel Size	Reels per Box (Maximum)	Parts per Box (Maximum)	Box Dimensions		Shipping Weight (Max.)	
			INCH	CM	LB	KG
7"	9	27,000	9x9x5	23x23x13	3	2
	18	54,000	9x9x9	23x23x23	6	3
	40	120,000	21x9x9	53x23x23	13	6
	108	324,000	27x9x17	69x23x43	34	16

Sample devices available upon request. To order samples of this device visit: www.centrasemi.com/info/CMUDW6001



Rethink the Possibilities™
Discretes do Matter™

www.centrasemi.com

Questions?
(631) 435-1110 or visit:
www.centrasemi.com/justask



145 Adams Avenue • Hauppauge • New York • 11788 • USA • Tel:(631) 435-1110 • Fax:(631) 435-1824

PB CMUDW6001 (R0)