

Process Change Notice

Parts Affected:

All Bridge Rectifiers in the DIP package.

Extent of Change:

Reduced thickness (height) of the epoxy body.

Reason for Change:

To provide a lower profile package.

Effect of Change:

No effect except for reduced height. No change in Mounting Pads required.

Effective Date of Change:

First quarter of 2002.

Sample Availability:

Please contact Salesperson or Manufacturer's Representative.

Figures:

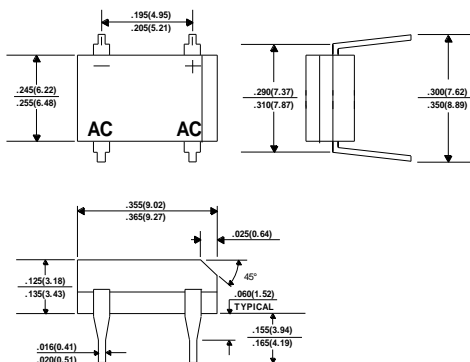


Figure 1. Present Package

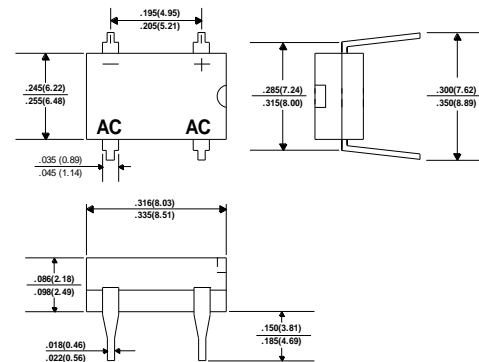


Figure 2. New Package

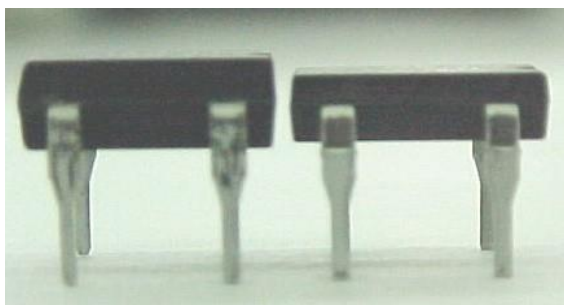


Figure 3 . Comparison of Present vs. New Packages

Part Numbers Affected:

CBR1-D010
CBR1-D020
CBR1-D040
CBR1-D060
CBR1-D080
CBR1-D100
CBR1F-D020
CBR1F-D040
CBR1F-D060
CBR1F-D080
CBR1F-D100
CBR1U-D010