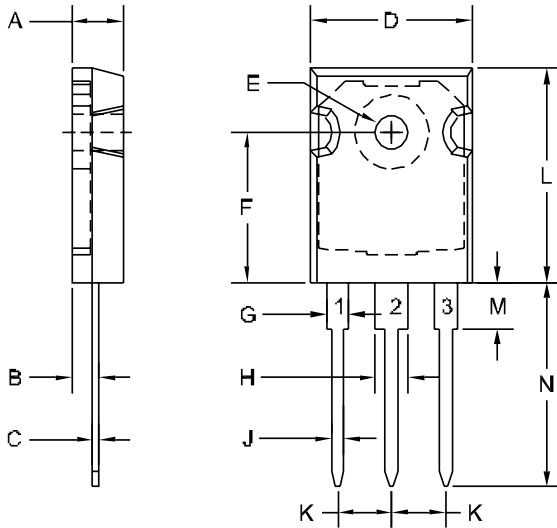


Package Details

TO-247 Case



Mechanical Drawing



SYMBOL	DIMENSIONS			
	INCHES		MILLIMETERS	
	MIN	MAX	MIN	MAX
A	0.184	0.211	4.68	5.36
B	0.087	0.110	2.20	2.80
C	0.019	0.028	0.48	0.70
D	0.606	0.638	15.38	16.20
E (DIA)	0.128	0.144	3.25	3.65
F	0.583	0.607	14.81	15.42
G	0.072	0.097	1.82	2.46
H	0.115	0.127	2.92	3.23
J	0.035	0.060	0.89	1.53
K	0.207	0.223	5.26	5.66
L	0.812	0.881	20.63	22.38
M	0.145	0.177	3.68	4.50
N	0.728	0.846	18.50	21.50

TO-247 (REV: R3)

R3

Lead Code:

Reference individual device datasheet.

Packing Options

Bulk:

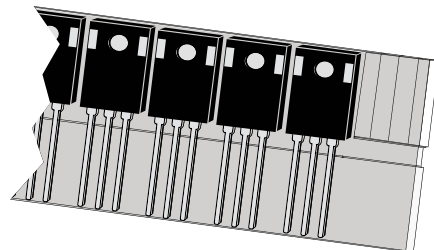
White corrugated box with static shielded bags

Bulk Packing Quantity: 100

Sleeve:

Antistatic coated plastic sleeve (surface resistivity of $>10^9$ and $<10^{13}$ ohms per square)

Sleeve Packing Quantity: 30



TO-247 Antistatic Sleeve