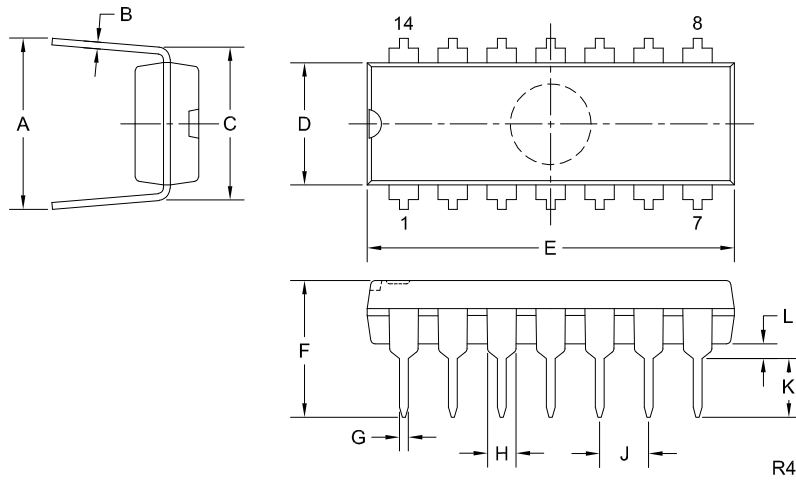


# Package Details

## TO-116



### Mechanical Drawing



DIMENSIONS				
SYMBOL	INCHES		MILLIMETERS	
	MIN	MAX	MIN	MAX
A	0.310	0.390	7.9	9.9
B	0.008	0.014	0.2	0.4
C	0.310		7.9	
D	0.240	0.260	6.1	6.6
E	0.740	0.760	18.8	19.3
F	0.300		7.6	
G	0.014	0.022	0.4	0.6
H	0.050		1.3	
J	0.100		2.5	
K	0.125	0.150	3.2	3.8
L	0.015	-	0.4	-

TO-116 (REV: R4)

### Packing Options

#### Bulk - Packing Code: C

C = Antistatic coated plastic sleeve (surface resistivity of  $>10^9$  and  $<10^{13}$  ohms per square).

**Bulk Packing Quantity: 25**

R4 (11-February 2021)