

CMPDM303NH

30V, 3.6A N-Channel MOSFET in the SOT-23F package



The Central Semiconductor CMPDM303NH is an N-Channel Enhancement-mode MOSFET that optimizes high current capability and energy efficiency in the industry standard SOT-23F package. The combination of high current capability, low gate charge and low on-resistance makes this device the ideal selection for energy sensitive applications that require higher drain currents.

Features:

- Low $r_{DS(ON)} = 27m\Omega @ V_{GS}=4.5V$
- High current $I_D=3.6A$
- Low gate charge $Q_{GS}=0.9nC$

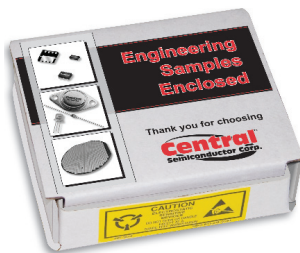
Applications:

- Load/Power switches
- Power supply converter circuits
- Battery powered portable equipment
- Motor control

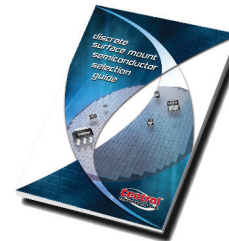
Benefits:

- Energy efficient
- 9% lower package profile than the SOT-23
- Fast switching speed $t_{ON}=8.7ns$

Samples and Literature

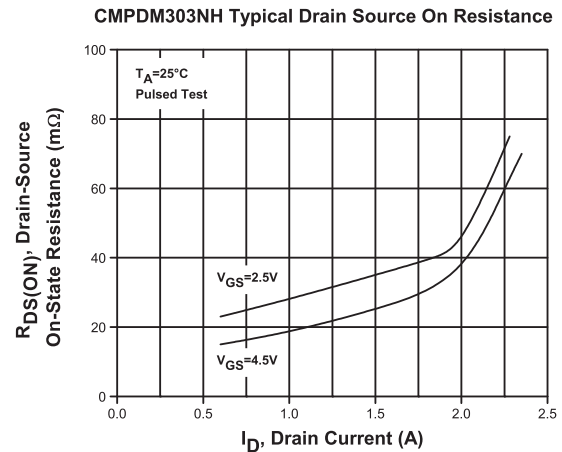
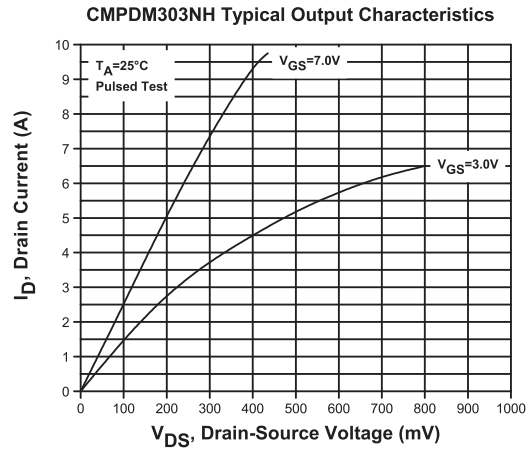


To order samples of this device visit:
www.centrasemi.com/info/CMPDM303NH



Order the new SMD selection guide today.
 Visit: web.centrasemi.com/search/sample.php

Typical Electrical Characteristics

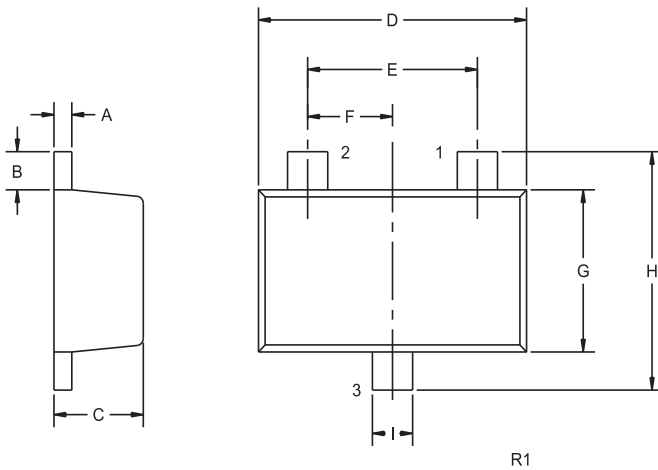


$T_A=25^\circ C$		Electrical Characteristics										Thermal Characteristics		
BV_{DSS} (V)	I_D (A)	$V_{GS(th)}$ (V)		$r_{DS(ON)}$ ($m\Omega$)		@ V_{GS}		Q_{gs} (nC)		C_{iss} (pF)	C_{rss} (pF)	P_D (mW)	T_J, T_{stg} ($^\circ C$)	Θ_{JA} ($^\circ C/W$)
MIN	MAX	MIN	MAX	TYP	MAX	(V)	(A)	TYP	MAX	TYP	TYP		MAX	MAX
30	3.6	0.6	1.2	27 39	40 78	4.5 2.5	1.8 1.8	0.9	1.4	600	45	350	-55 to +150	357

CMPDM303NH

30V, 3.6A N-Channel MOSFET in the SOT-23F package

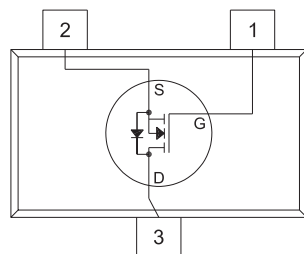
Mechanical Drawing - SOT-23F



SYMBOL	INCHES		MILLIMETERS	
	MIN	MAX	MIN	MAX
A	0.004	0.008	0.10	0.20
B	0.012	0.020	0.30	0.50
C	0.031	0.039	0.80	1.00
D	0.110	0.118	2.80	3.00
E	0.075		1.90	
F	0.037		0.95	
G	0.059	0.067	1.50	1.70
H	0.091	0.098	2.30	2.50
I	0.014	0.018	0.35	0.45

SOT-23F (REV: R1)

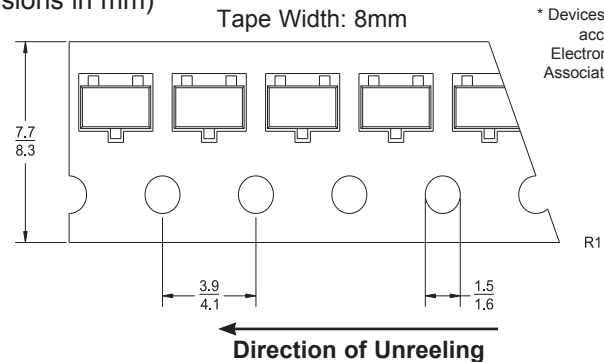
Lead Code



- 1) Gate
- 2) Source
- 3) Drain

MARKING CODE:
303C

Tape Dimensions and Orientation (Dimensions in mm)



* Devices are taped in accordance with Electronic Industries Association Standard EIA-481-1-A

Packaging Base

7" Reel = 3,000 pcs. (add TR suffix to part number)

Reel Packing Information

Reel Size	Reels per Box (Maximum)	Parts per Box (Maximum)	Box Dimensions		Shipping Weight (Max.)	
			INCH	CM	LB	KG
7"	9	27,000	9x9x5	23x23x13	4	2
	18	54,000	9x9x9	23x23x23	7	4
	40	120,000	21x9x9	53x23x23	14	7
	108	324,000	27x9x17	69x23x43	39	18

Sample devices available upon request. To order samples of this device visit: www.centrasemi.com/info/CMPDM303NH



**Innovative Discrete
Semiconductors**

For further information contact:
Sales at Central Semiconductor Corp.
(631) 435-1110 or visit our website at:
www.centrasemi.com

145 Adams Avenue • Hauppauge • New York • 11788 • USA • Tel:(631) 435-1110 • Fax:(631) 435-1824