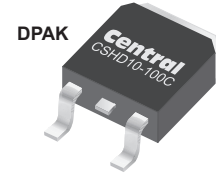


CSHD10-100C

10A, 100V Dual, Common Cathode, High Voltage Schottky Rectifier in the DPAK package



Central Semiconductor's CSHD10-100C is a Schottky rectifier designed for surface mount high voltage applications requiring a low forward voltage drop. This device consists of two 5 amp Schottky rectifiers in a common cathode configuration making it ideal for a wide range of high current high temperature applications.

Features:

- High Current ($I_O = 10A$ total)
- Low forward voltage ($V_F = 0.8V @ 5.0A$)
- Low leakage at high temperatures ($I_R = 20mA @ T_J = 100^\circ C$)

Applications:

- Solar by-pass diode
- DC-DC output rectification
- Reverse polarity protection

Benefits:

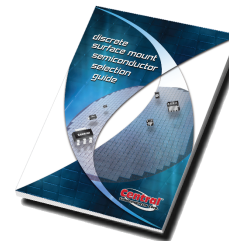
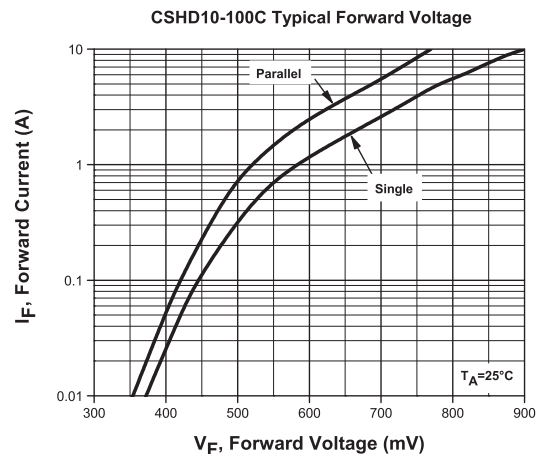
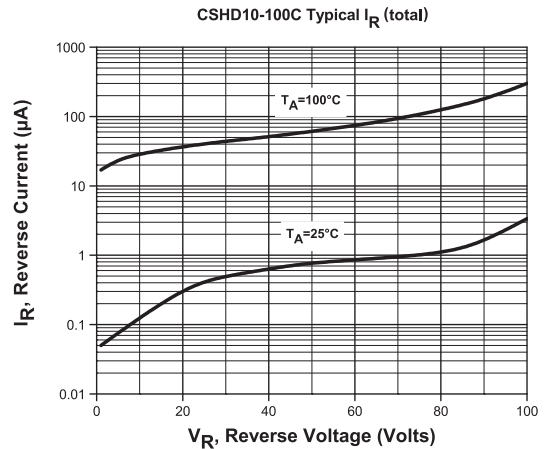
- Energy efficiency
- Elevated temperature performance
- Single, dual or parallel configurations

Samples and Literature



To order samples of this device visit:
www.centalsemi.com/info/CSHD10-100C

Typical Electrical Characteristics



New
**SMD
 SELECTION
 GUIDE**

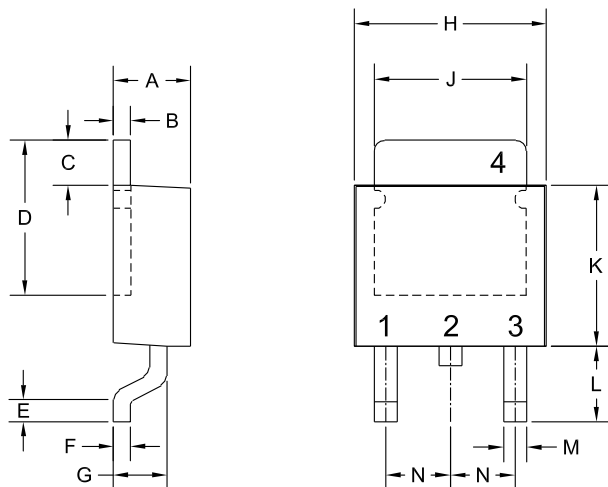
Order your selection guide today.
 Visit: web.centalsemi.com/search/sample.php

Maximum Ratings ($T_A = 25^\circ C$ unless otherwise noted)				Electrical Characteristics Per Rectifier: ($T_A = 25^\circ C$ unless otherwise noted)			
V_{RRM} (V) MAX	I_O $T_C = 75^\circ C$ (A) MAX	T_J, T_{stg} ($^\circ C$) MAX	I_{FSM} (A) MAX	V_F (V) MAX	@ I_F (A)	I_R MAX	@ V_R (V)
100	10	-65 to +175	100	0.8 0.9 (TYP)	5.0 10	50 μA 20mA	100 100 ($T_J = 100^\circ C$)

CSHD10-100C

10A, 100V Dual, Common Cathode, High Voltage Schottky Rectifier in the DPAK package

Mechanical Drawing - DPAK

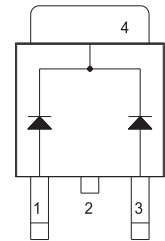


SYMBOL	DIMENSIONS			
	MIN	MAX	MIN	MAX
A	0.083	0.108	2.10	2.75
B	0.016	0.024	0.40	0.60
C	0.063		1.60	
D	0.203	0.219	5.15	5.55
E	0.039		1.00	
F	0.020		0.50	
G	0.051	0.071	1.30	1.80
H	0.248	0.268	6.30	6.80
J	0.197	0.217	5.00	5.50
K	0.209	0.224	5.30	5.70
L	0.090	0.106	2.30	2.70
M	0.012	0.031	0.30	0.80
N	0.091		2.30	

DPAK RECTIFIER (REV: R2)

R2 Part Marking: Full Part Number

Pinout



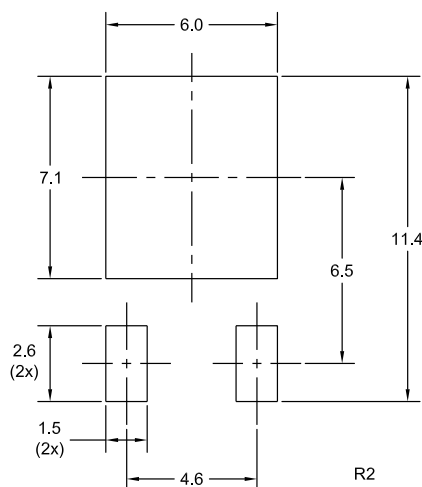
LEAD CODE:

- 1) Anode 1
 - 2) Cathode
 - 3) Anode 2
 - 4) Cathode
- Pin 2 is Common to Tab (4)

MARKING:
FULL PART NUMBER

Mounting Pad Geometry

(Dimensions in mm)

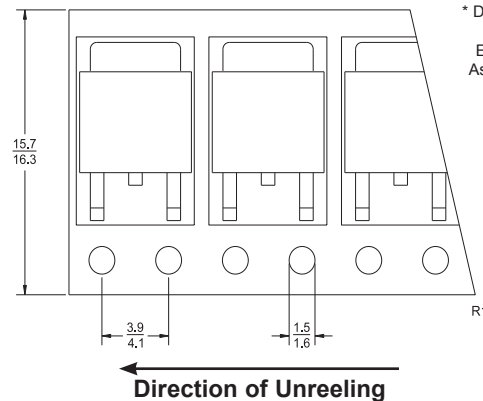


R2

Tape Dimensions and Orientation

(Dimensions in mm)

Tape Width: 16mm



* Devices are taped in accordance with Electronic Industries Association Standard EIA-481-2-A

R1

Packaging Base 13" Reel = 2,500 pcs.

Reel Packing Information

Reel Size	Reels per Box (Maximum)	Parts per Box (Maximum)	Box Dimensions		Shipping Weight (Max.)	
			INCH	CM	LB	KG
13"	4	10,000	15x4x15	38x10x38	12	6
	9	22,500	15x15x9	38x38x23	25	12
	18	45,000	15x15x18	38x38x46	49	23

Sample devices available upon request. To order samples of this device visit: www.centrasemi.com/info/CSHD10-100C



For further information contact:
Sales at Central Semiconductor Corp.
(631) 435-1110 or visit:
www.centrasemi.com