

January 31, 2006

Welcome to the latest edition of Central Semiconductor's Innovations in Discrete Semiconductors Newsletter. As a registered recipient, you have requested to receive information about Central's latest products. We hope you find the following information useful. Your feedback is always welcome. Please send comments, suggestions, or other feedback to tdonofrio@centralsemi.com.

New to this issue...

- CMXSH2-4LS: Dual Pair, In Series Schottky Diodes in the SOT-26 package. Page 1
- CMMR1 Series: 1 Amp Rectifier in Flat Lead SOD-123F. Page 2
- CMLT5551HC: High Current/High Voltage NPN Transistor in tiny SOT-563. Page 2

Dual Pair, In Series Schottky Diodes in the SOT-26

Central Semiconductor Corp. announces the release of the **CMXSH2-4LS** dual pair of low V_F Schottky diodes packaged in a space saving **SUPERmini**[™] SOT-26 surface mount case. The CMXSH2-4LS consists of two (2) pair of low V_F Schottky diodes configured in series, with a maximum continuous forward current of 200mA (per diode), a maximum peak repetitive reverse voltage of 40V, and a typical forward voltage drop of 0.35V @ 100mA.

The CMXSH2-4LS is available Bulk Packed or 3,000 pcs on 7" Tape & Reel. Samples are available upon request.

Order samples: www.centralsemi.com/samples.aspx





CMXSH2-4LS  40V, 200mA Dual Pair, In Series Schottky diodes in SOT-26

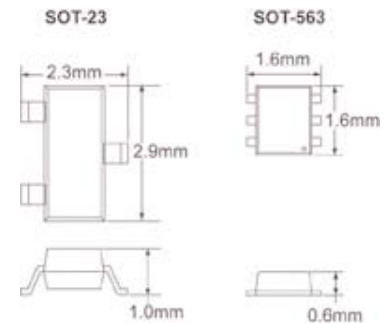
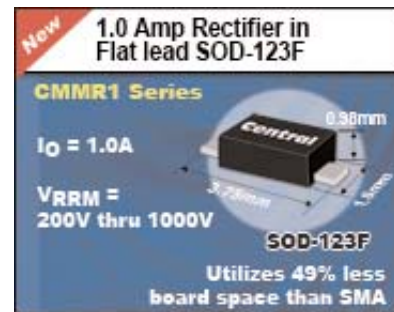
1 Amp Rectifier in Flat Lead SOD-123F

Central Semiconductor Corp. announces the release of the CMMR1 series of 1.0 Amp general purpose rectifiers in the flat lead SOD-123F surface mount package. This new series has peak repetitive reverse voltages of 200V (CMMR1-02), 400V (CMMR1-04), 600V (CMMR1-06) and 1000V (CMMR1-10). The CMMR1 series is suitable for a wide variety of commercial, industrial, entertainment, computer, and automotive applications requiring a small surface mount rectifier. Typically these rectifiers are packaged in the much larger SMA case. The CMMR1 series in the SOD-123F utilizes 49% less board space than the SMA, and has a 57% lower profile.

The CMMR1 series is available Bulk Packed or 3,000 pcs on 7" Tape & Reel. Sample devices are available upon request.

Order samples: www.centralsemi.com/samples.aspx

- CMMR1-02 200V, 1.0 Amp General Purpose Rectifier in the SOD-123F.
- CMMR1-02  200V, 1.0 Amp General Purpose Rectifier in the SOD-123F.
- CMMR1-02  200V, 1.0 Amp General Purpose Rectifier in the SOD-123F.
- CMMR1-02 200V, 1.0 Amp General Purpose Rectifier in the SOD-123F.



High Current/High Voltage NPN Transistor in tiny SOT-563 package

Central Semiconductor Corp. announces the release of the **CMLT5551HC** High Current (HC) NPN transistor. This new device has a high collector-to-emitter voltage (V_{CE0}) of 160 volts and a maximum collector current (I_C) of 1.0 Amp. Compared with the collector current of a standard 5551 device (600mA), the 5551HC increases the current handling by 400mA. In addition, by utilizing four (4) bonding leads to the collector, the CMLT5551HC provides an increased power dissipation of 100mW for a total of 350mW. The CMLT5551HC is a single discrete device packaged in a **PICOmini™** SOT-563 surface mount case. It has a maximum case height of 6.0mm and utilizes 60% less board space than an industry standard SOT-23. This new device is ideal for applications requiring a high current and high voltage amplifier in a tiny surface mount package.

Also available are the CXT5551HC in the SOT-89 and CZT5551HC in the SOT-223.

The CMLT5551HC is available Bulk Packed or 3,000 pcs on 7" Tape & Reel. Sample devices are available upon request.

Order samples: www.centralsemi.com/samples.aspx

- CMLT5551HC  High Current NPN Transistor in the PICOmini™ SOT-563.



If you wish to receive future editions of Central Semiconductor's Innovations Newsletter simply send an email to tdonofrio@centralsemi.com Please include the following information:
Your name, Company Name, Telephone number, and email address.