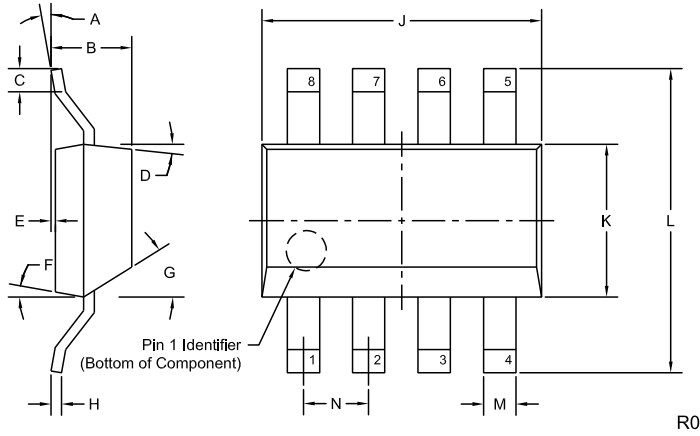


# Package Details

## SOT-228 Case



### Mechanical Drawing



SYMBOL	INCHES		MILLIMETERS	
	MIN	MAX	MIN	MAX
A	0°	10°	0°	10°
B	—	0.075	—	1.90
C	0.018	—	0.45	—
D	4°	10°	4°	10°
E	0.000	0.004	0.00	0.10
F	4°	10°	4°	10°
G	36°	45°	36°	45°
H	0.010		0.25	
J	0.248	0.264	6.30	6.70
K	0.130	0.146	3.30	3.70
L	0.264	0.287	6.70	7.30
M	0.027	0.030	0.68	0.76
N	0.060		1.53	

R0

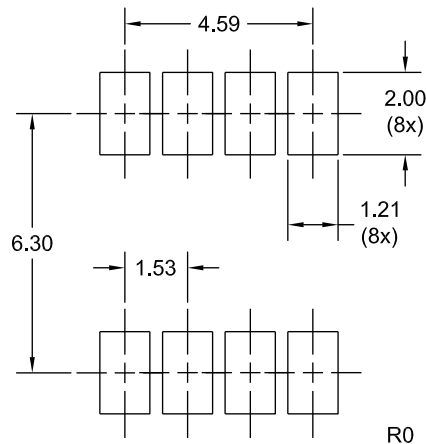
SOT-228 (REV: R0)

#### Lead Code:

Reference individual device datasheet.

#### Part Marking: Full Part Number

### Mounting Pad Geometry (Dimensions in mm)



R0

R1 (4-March 2010)

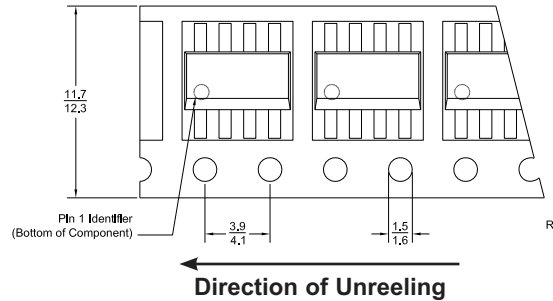
# Package Details

## SOT-228 Case



### Tape Dimensions and Orientation (Dimensions in mm)

Tape Width: 12mm



Devices are taped in accordance with Electronic Industries Association Standard EIA-481-1-A

### Packaging Base

7" Reel = 1,000 pcs.

### Reel Labeling Information

Each reel is labeled with the following information:

Central Part Number, Customer Part Number, Purchase Order Number, Quantity, Lot Number, Date Code, Ship Date and Marking Code.

### Reel Packing Information

Reel Size	Reels per Box (Maximum)	Parts per Box (Maximum)	Box Dimensions		Shipping Weight (Max.)	
			INCH	CM	LB	KG
7"	6	6,000	9x9x5	23x23x13	4	2
	13	13,000	9x9x9	23x23x23	8	4
	32	32,000	21x9x9	53x23x23	19	9
	82	82,000	27x9x17	69x23x43	48	22

### Ordering Information

- For devices taped and reeled on 7" reels, add TR suffix to part number.
- All SMDs are available in small quantities for prototype and manual placement applications.

R1 (4-March 2010)